

The standard length of the power cord:

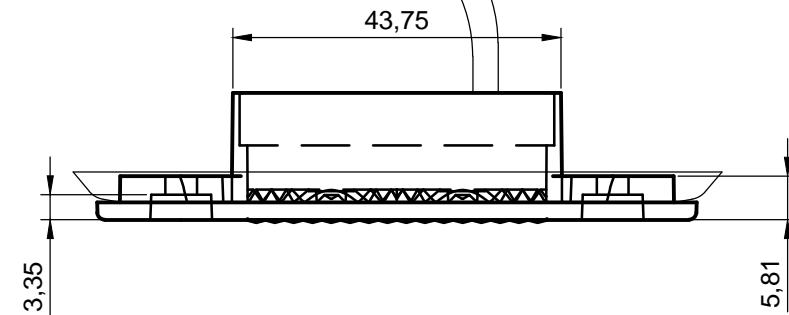
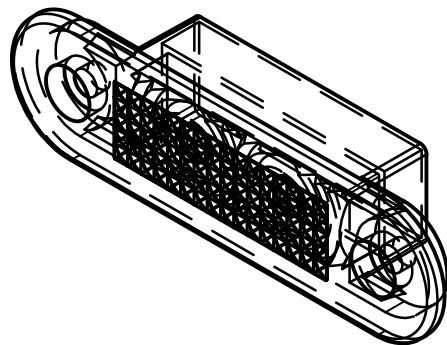
- 500mm - nr art. 2908E2R0500
- 5000mm - nr art. 2908E2R05000
- 8000mm - nr art. 2908E2R08000

Other cable lengths - after discussion with the sales office.

Color of polarization white +

Color of polarization black -

Power cord - YLY-Sp 2 x 0,75mm
Power cord length 500mm



Customer:		Palm Electronic GmbH	
Cover material		PC red	
Seal material		TPE	
Supply voltage		9 - 30V	
Power		12V 0,3W 24V 0,5W	
Light colour		red	
Quantity of LED		2 pcs	
		Rear marker lamp	
		Drew: S. Maternowski	Date: 16.03.2015
Scale 1:1	IP6K7	Tolerance +/- 0.2 mm	